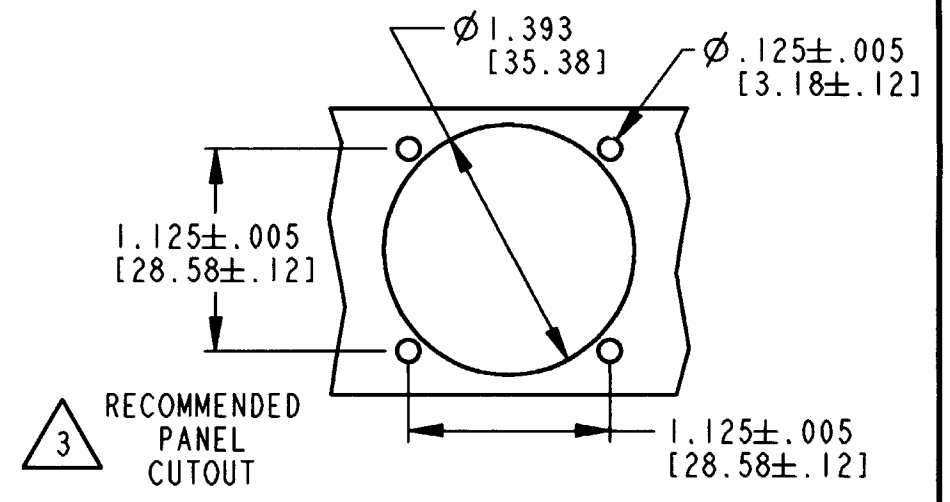
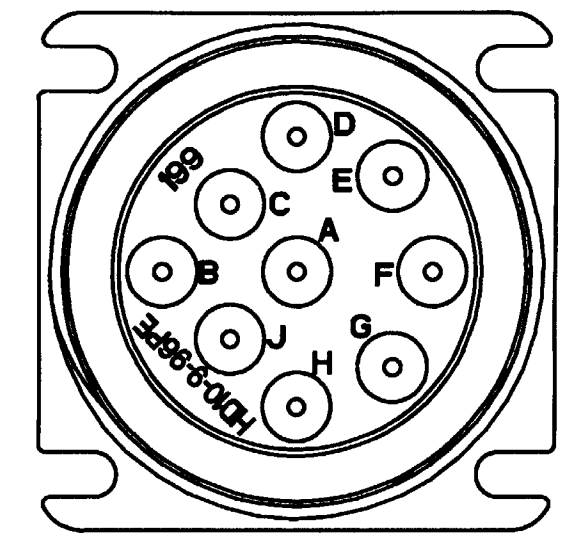
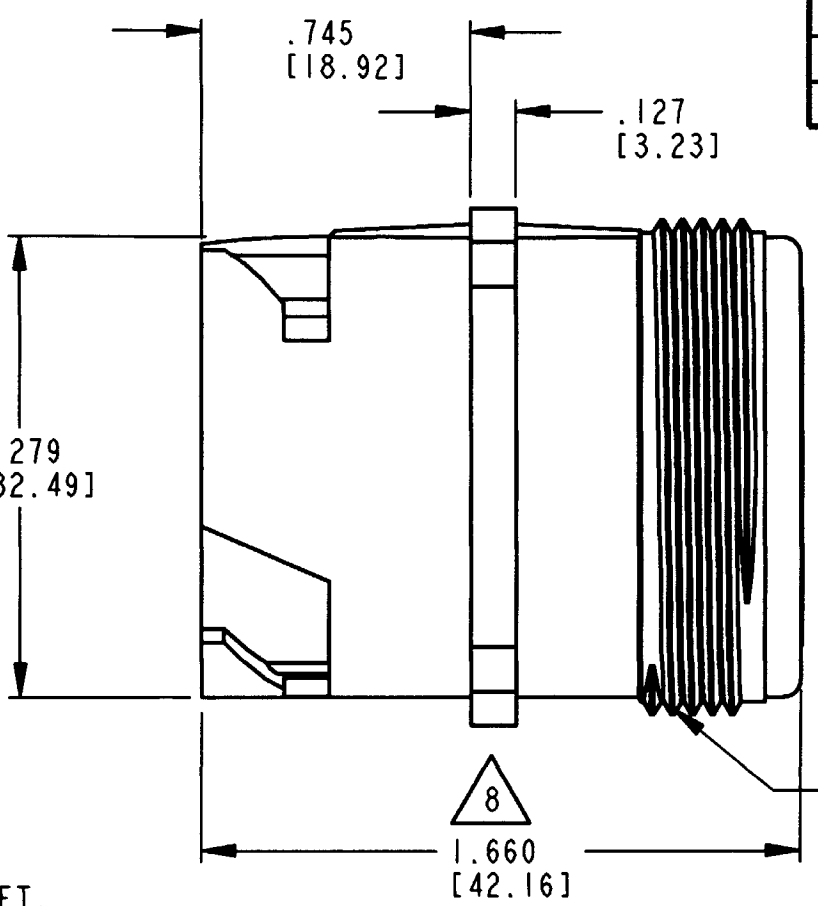
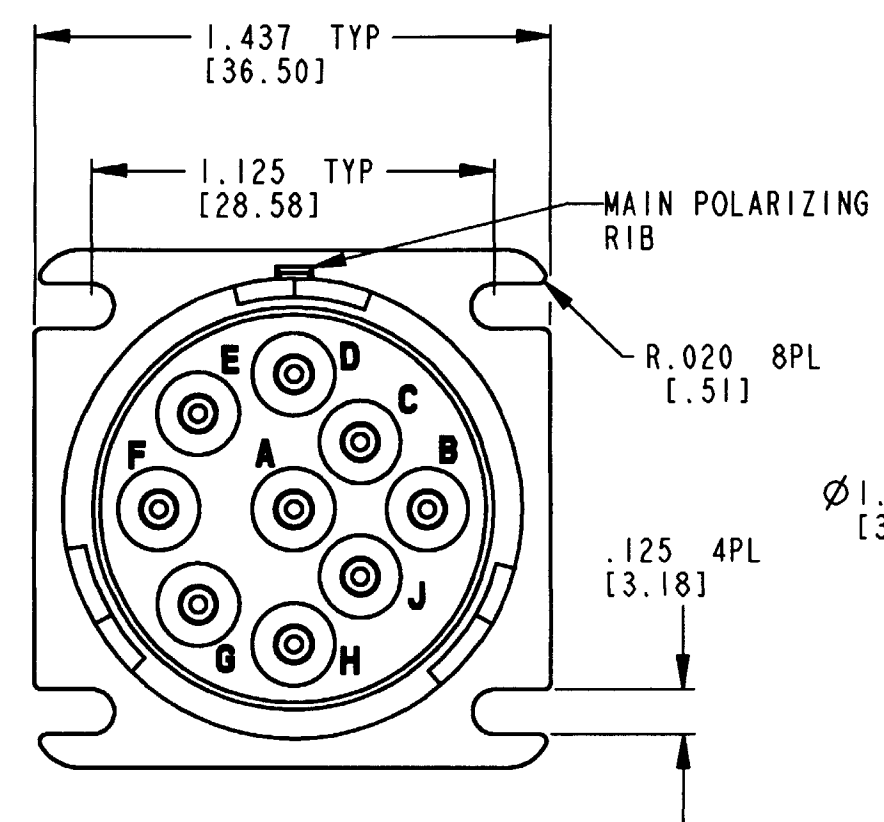


REV  
A HD10-9-96PE

REVISIONS			
SYM	DESCRIPTION	DATE	APPROVED
NC	NEW RELEASE PER E.O. P15932	4/8/99	J.A.
A	REVISED PER E.O. P17742	12-27-02	ADR



9. MATERIAL: SHELL: PLASTIC; SEAL: RUBBER.
8. OVERALL DIMENSION DOES NOT INCLUDE RUBBER GROMMET.
7. THIS RECEPTACLE MATES WITH HD16-9-96S\*-\*\*\*\* PLUG (\* = SEAL TYPE, \*\*\*\* = ALL MODIFICATIONS).
6. FOR CONTACT AND WIRE PERFORMANCE AND APPLICATION CHARACTERISTICS, SEE ENVELOPE DRAWING 0425-015-0000.
5. THIS CONNECTOR SERIES WILL ACCOMMODATE THE FOLLOWING WIRE INSULATION DIAMETERS:
- | CONTACT SIZE | MINIMUM O.D.   | MAXIMUM O.D.   |
|--------------|----------------|----------------|
| 16           | .053<br>(1.35) | .120<br>(3.05) |
4. CONSULT FACTORY FOR ELECTRICAL AND MATERIAL SPECIFICATIONS.
3. MAXIMUM PANEL THICKNESS IS .250 [6.35].
2. DIMENSION TOLERANCE: ±.025 [6.3], UNLESS OTHERWISE SPECIFIED.

NOTES: 1. ALL DIMENSIONS ARE INCHES [MILLIMETERS].

SIGNATURE & DATE	
DR	D. SPENCER 15MAR99
CHK	Paul Baker 12/10/02
PE	Brand 12-9-02
APPD	R. Rad 12-27-02
SCALE	2:1 WT

RECEPTACLE  
SQUARE FLANGE  
HD10 SERIES  
ARR. 9-96  
COLOR: GREY  
  
ENVELOPE

CP	MATL. CODE
	The Deutsch Company DEUTSCH I.P.D. 3850 INDUSTRIAL AVE. HEMET, CALIF. 92545
<b>B</b>	<b>HD10-9-96PE</b>
DWG SIZE 11139	SHEET   OF